



DEPARTMENT OF REGULATORY AND ECONOMIC RESOURCES (RER)
BOARD AND CODE ADMINISTRATION DIVISION

MIAMI-DADE COUNTY
PRODUCT CONTROL SECTION
11805 SW 26 Street, Room 208
Miami, Florida 33175-2474
T (786) 315-2590 F (786) 315-2599

www.miamidade.gov/economy

NOTICE OF ACCEPTANCE (NOA)

Cast-Crete USA, LLC
6324 County Road 579
Seffner, Florida 33584

SCOPE:

This NOA is being issued under the applicable rules and regulations governing the use of construction materials. The documentation submitted has been reviewed and accepted by Miami-Dade County RER- Product Control Section to be used in Miami Dade County and other areas where allowed by the Authority Having Jurisdiction (AHJ).

This NOA shall not be valid after the expiration date stated below. The Miami-Dade County Product Control Section (In Miami Dade County) and/or the AHJ (in areas other than Miami Dade County) reserve the right to have this product or material tested for quality assurance purposes. If this product or material fails to perform in the accepted manner, the manufacturer will incur the expense of such testing and the AHJ may immediately revoke, modify, or suspend the use of such product or material within their jurisdiction. RER reserves the right to revoke this acceptance, if it is determined by Miami-Dade County Product Control Section that this product or material fails to meet the requirements of the applicable building code.

This product is approved as described herein, and has been designed to comply with the High Velocity Hurricane Zone of the Florida Building Code.

DESCRIPTION: (Cast-Crete) 4", 6" & 12" High Strength Precast and Prestressed Concrete Lintels

APPROVAL DOCUMENT: Drawing No. FD4612, titled "Precast and Prestressed Lintel Details", sheet 1 of 1, prepared by Craig Parrino, P.E., dated March 24, 2003 and Drawing No. LT4612, titled "Cast-Crete 4", 6" & 12" Lintel Safe Load Tables", sheets 1 through 3 of 3, prepared by Craig Parrino, P.E., dated March 24, 2003, last revision dated June 12, 2014, all signed and sealed by Craig Parrino, P.E., on January 22, 2019, all bearing the Miami-Dade County Product Control Revision stamp with the Notice of Acceptance number and the expiration date by the Miami-Dade County Product Control Section.

MISSILE IMPACT RATING: Large and Small Missile Impact Resistant

LABELING: Each lintel shall bear a permanent label with the manufacturer's name or logo and the Miami-Dade County logo.

RENEWAL of this NOA shall be considered after a renewal application has been filed and there has been no change in the applicable building code negatively affecting the performance of this product.

TERMINATION of this NOA will occur after the expiration date or if there has been a revision or change in the materials, use, and/or manufacture of the product or process. Misuse of this NOA as an endorsement of any product, for sales, advertising or any other purposes shall automatically terminate this NOA. Failure to comply with any section of this NOA shall be cause for termination and removal of NOA.

ADVERTISEMENT: The NOA number preceded by the words Miami-Dade County, Florida, and followed by the expiration date may be displayed in advertising literature. If any portion of the NOA is displayed, then it shall be done in its entirety.

INSPECTION: A copy of this entire NOA shall be provided to the user by the manufacturer or its distributors and shall be available for inspection at the job site at the request of the Building Official.

This NOA revises NOA # 18-0424.04 and consists of this page 1, evidence submitted pages E-1, E-2, E-3 and E-4 as well as approval document mentioned above.

The submitted documentation was reviewed by **Helmy A. Makar, P.E., M.S.**



Helmy A. Makar
03/28/2019

NOA No. 19-0130.14
Expiration Date: 09/11/2023
Approval Date: 03/28/2019
Page 1

Cast-Crete USA, LLC

NOTICE OF ACCEPTANCE: EVIDENCE SUBMITTED

1. EVIDENCE SUBMITTED UNDER PREVIOUS APPROVAL #03-0605.04

A. DRAWINGS

1. *Drawing No. FD4612, titled "Precast and Prestressed Lintel Details", sheet 1 of 1, prepared by Craig Parrino, P.E., dated March 24, 2003 and Drawing No. LT4612, titled "Cast-Crete 4", 6" & 12" Lintel Safe Load Tables", sheets 1 through 3 of 3, prepared by Craig Parrino, P.E., dated March 24, 2003, last revision #1 dated April 28, 2003 both drawings signed and sealed by Craig Parrino, P.E.*

B. TESTS

1. *Test report on flexural testing on 4", 6" & 12" Precast Concrete Lintels Filled and Unfilled Models, total of (13) concrete lintel specimens, per ASTM E-529-94, prepared by Applied Research Laboratories, Report No. 30404A, dated 04/10/03, signed and sealed by Christopher A. Hamon, P.E.*

C. CALCULATIONS

1. *Calculations for Cast-Crete Lintels, dated 05/29/03, 207 pages, prepared by Craig Parrino, P.E., signed and sealed by Craig Parrino, P.E.*
2. *Calculations for Cast-Crete Lintels, dated 05/29/03, 140 pages, prepared by Craig Parrino, P.E., signed and sealed by Craig Parrino, P.E.*

D. MATERIAL CERTIFICATION:

1. *Quality System Manual for Cast-Crete Machine Made Precast Lintels revised on May 1, 2002.*
2. *Cast-Crete Quality System Manual for Prestressed Products dated 2002.*

2. EVIDENCE SUBMITTED UNDER PREVIOUS APPROVAL # 08-0320.09

A. DRAWINGS

1. *Drawing No. FD4612, titled "Precast and Prestressed Lintel Details", sheet 1 of 1, prepared by Craig Parrino, P.E., dated March 24, 2003 and Drawing No. LT4612, titled "Cast-Crete 4", 6" & 12" Lintel Safe Load Tables", sheets 1 through 3 of 3, prepared by Craig Parrino, P.E., dated March 24, 2003, last revision dated March 11, 2008.*

B. TESTS

1. *None.*

C. CALCULATIONS


1. *None.*

D. QUALITY ASSURANCE

1. *By Miami-Dade County Building Code Compliance Office.*

E. MATERIAL CERTIFICATIONS

1. *None.*



Helmy A. Makar, P.E., M.S.
Product Control Section Supervisor
NOA No. 19-0130.14
Expiration Date: 09/11/2023
Approval Date: 03/28/2019

Cast-Crete USA, LLC

NOTICE OF ACCEPTANCE: EVIDENCE SUBMITTED

3. EVIDENCE SUBMITTED UNDER PREVIOUS APPROVAL # 12-0209.12

A. DRAWINGS

1. *Drawing No. FD4612, titled "Precast and Prestressed Lintel Details", sheet 1 of 1, prepared by Craig Parrino, P.E., dated March 24, 2003 and Drawing No. LT4612, titled "Cast-Crete 4", 6" & 12" Lintel Safe Load Tables", sheets 1 through 3 of 3, prepared by Craig Parrino, P.E., dated March 24, 2003, last revision dated March 11, 2008, all signed and sealed by Craig Parrino, P.E., on March 22, 2012.*

B. TESTS

1. *None.*

C. CALCULATIONS

1. *None.*

D. QUALITY ASSURANCE

1. *By Miami-Dade County Department of Permitting, Environment, and Regulatory Affairs.*

E. MATERIAL CERTIFICATIONS

1. *None.*

F. OTHER

1. *Letter from Cast-Crete Corporation, dated February 03, 2012, signed and sealed by Craig Parrino, P.E., certifying compliance with the Florida Building Code, 2010 Edition.*

4. EVIDENCE SUBMITTED UNDER PREVIOUS APPROVAL # 13-0321.07

A. DRAWINGS

1. *None.*

B. TESTS

1. *None.*

C. CALCULATIONS

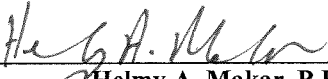
1. *None.*

D. QUALITY ASSURANCE

1. *By Miami-Dade County Department of Regulatory and Economic Resources (RER).*

E. MATERIAL CERTIFICATIONS

1. *None.*



Helmy A. Makar, P.E., M.S.
Product Control Section Supervisor
NOA No. 19-0130.14
Expiration Date: 09/11/2023
Approval Date: 03/28/2019

Cast-Crete USA, LLC

NOTICE OF ACCEPTANCE: EVIDENCE SUBMITTED

5. EVIDENCE SUBMITTED UNDER PREVIOUS APPROVAL # 14-0903.03

A. DRAWINGS

1. *Drawing No. FD4612, titled "Precast and Prestressed Lintel Details", sheet 1 of 1, dated 03/24/03 and Drawing No. LT4612, titled "Cast-Crete 4", 6" & 12" Lintel Safe Load Tables", sheets 1 through 3 of 3, last revision dated 06/12/14, all prepared, signed and sealed by Craig Parrino, P.E., on 08/19/14.*

B. TESTS

1. *None.*

C. CALCULATIONS

1. *Calculations for Cast-Crete Lintels, dated 08/19/2014, pages 14.201 through 14.236, prepared by Craig Parrino, P.E., signed and sealed by Craig Parrino, P.E.*

D. QUALITY ASSURANCE

1. *By Miami-Dade County Department of Regulatory and Economic Resources (RER).*

E. MATERIAL CERTIFICATIONS

1. *None.*

F. OTHER

1. *Letter from Cast-Crete USA, Inc., dated 08/19/2014, signed and sealed by Craig Parrino, P.E., certifying compliance with the Florida Building Code, 2014 Edition.*

6. EVIDENCE SUBMITTED UNDER PREVIOUS APPROVAL # 17-0821.18

A. DRAWINGS

1. *None.*

B. TESTS

1. *None.*

C. CALCULATIONS

1. *None.*

D. QUALITY ASSURANCE

1. *By Miami-Dade County Department of Regulatory and Economic Resources (RER).*

E. MATERIAL CERTIFICATIONS

1. *None.*

F. OTHER

1. *Compliance Letter with the Florida Building Code, 2017 Edition, issued by Cast-Crete USA, Inc., dated 08/08/17, signed & sealed by Craig Parrino, P.E.*



Helmy A. Makar, P.E., M.S.
Product Control Section Supervisor
NOA No. 19-0130.14
Expiration Date: 09/11/2023
Approval Date: 03/28/2019

Cast-Crete USA, LLC

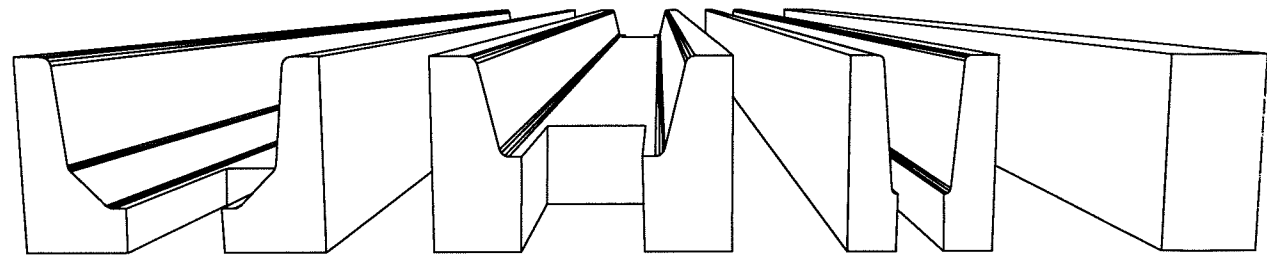
NOTICE OF ACCEPTANCE: EVIDENCE SUBMITTED

- 7. EVIDENCE SUBMITTED UNDER PREVIOUS APPROVAL # 18-0424.04**
- A. DRAWINGS**
1. *None.*
- B. TESTS**
1. *None.*
- C. CALCULATIONS**
1. *None.*
- D. QUALITY ASSURANCE**
1. *By Miami-Dade County Department of Regulatory and Economic Resources (RER).*
- E. MATERIAL CERTIFICATIONS**
1. *None.*
- F. OTHER**
1. *Compliance Letter with the Florida Building Code, 2017 Edition, issued by Cast-Crete USA, Inc., dated 08/08/17, signed & sealed by Craig Parrino, P.E.*
- 8. NEW EVIDENCE SUBMITTED**
- A. DRAWINGS**
1. *Drawing No. FD4612, titled "Precast and Prestressed Lintel Details", sheet 1 of 1, prepared by Craig Parrino, P.E., dated March 24, 2003 and Drawing No. LT4612, titled "Cast-Crete 4", 6" & 12" Lintel Safe Load Tables", sheets 1 through 3 of 3, prepared by Craig Parrino, P.E., dated March 24, 2003, last revision dated June 12, 2014, all signed and sealed by Craig Parrino, P.E., on January 22, 2019.*
- B. TESTS**
1. *None.*
- C. CALCULATIONS**
1. *None.*
- D. QUALITY ASSURANCE**
1. *By Miami-Dade County Department of Regulatory and Economic Resources (RER).*
- E. MATERIAL CERTIFICATIONS**
1. *None.*
- F. OTHER**
1. *Article of Conversion for a name change.*

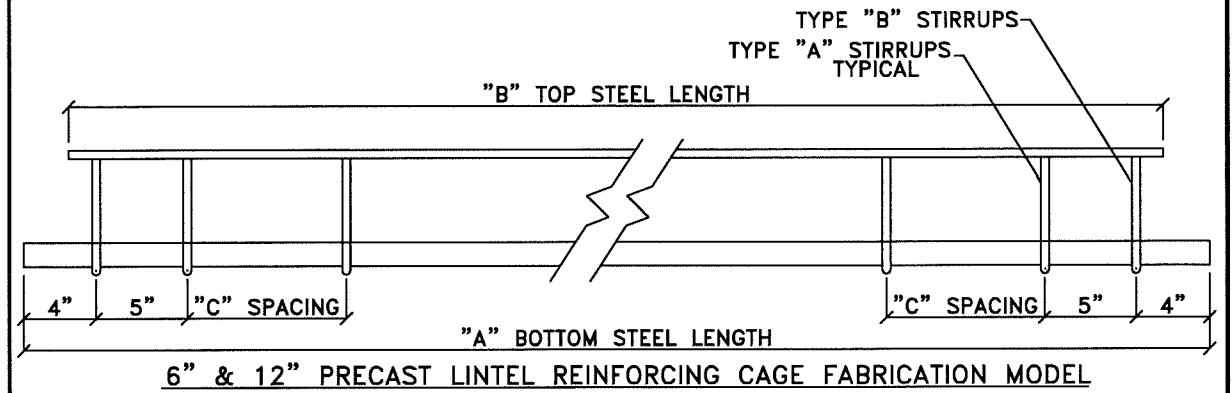


Helmy A. Makar, P.E., M.S.
Product Control Section Supervisor
NOA No. 19-0130.14
Expiration Date: 09/11/2023
Approval Date: 03/28/2019

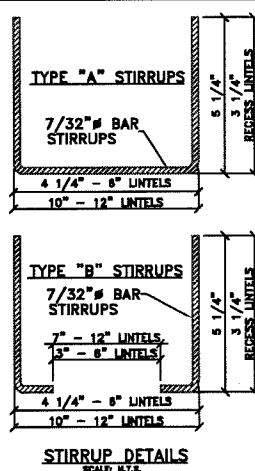
CAST-CRETE® HIGH STRENGTH PRECAST AND PRESTRESSED CONCRETE LINTELS



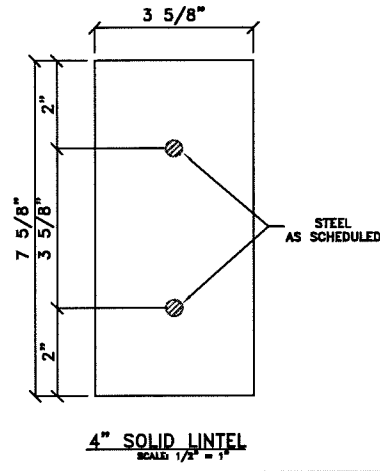
12" PRECAST U-LINTEL 12" PRECAST w/ 2" RECESS DOOR U-LINTEL 6" PRECAST U-LINTEL 4" SOLID LINTEL



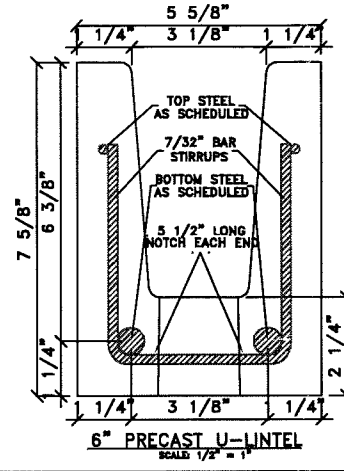
6" & 12" PRECAST LINTEL REINFORCING CAGE FABRICATION MODEL



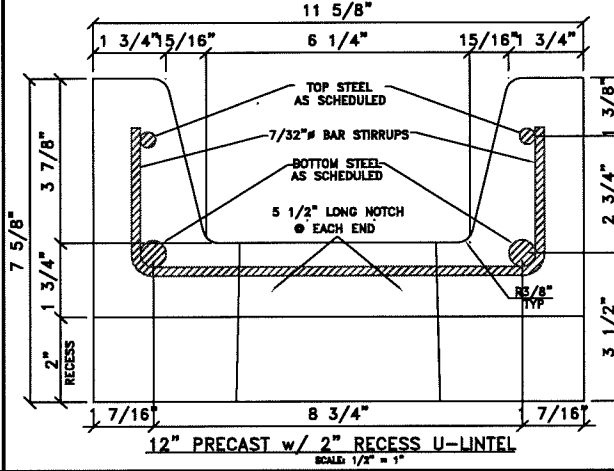
STIRRUP DETAILS
SCALE: 1/2" = 1"



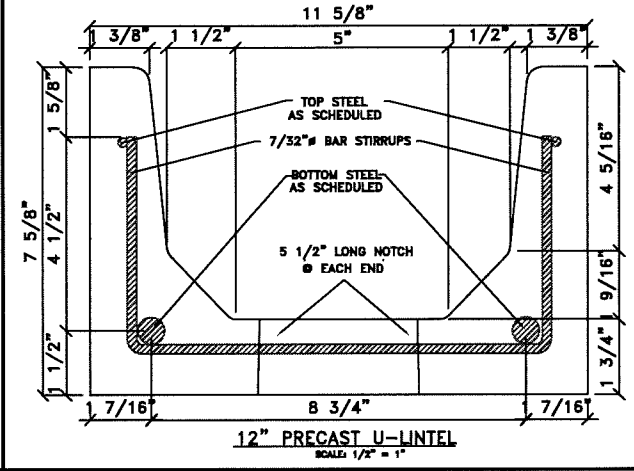
4" SOLID LINTEL
SCALE: 1/2" = 1"



6" PRECAST U-LINTEL
SCALE: 1/2" = 1"



12" PRECAST w/ 2" RECESS U-LINTEL
SCALE: 1/2" = 1"



12" PRECAST U-LINTEL
SCALE: 1/2" = 1"

4" SOLID LINTEL DATA TABLE

LINTEL LENGTH	REINFORCING STEEL	LENGTH
3'-6"	(2) #3 REBAR	3'-5"
4'-0"	(2) #3 REBAR	3'-11"
4'-6"	(2) #3 REBAR	4'-5"
5'-10"	(2) #3 REBAR	5'-9"
6'-6"	(2) #3 REBAR	6'-6"
7'-6"	(2) #3 REBAR	7'-5"
9'-4"	(2) #3 REBAR	9'-3"
10'-6"	(2) #3 REBAR	10'-5"

6" PRECAST U-LINTEL DATA TABLE

LINTEL SIZE	VOLUME CY	WEIGHT LBS	A * BOTTOM STEEL TYPE	B * TOP STEEL LENGTH	C * SPACING	NO. OF STIRRUPS
3'-6"	0.026	104	#3 REBAR 3'-10"	7/32 BAR 3'-2"	N/A	4
4'-0"	0.030	119	#3 REBAR 4'-4"	7/32 BAR 3'-8"	N/A	4
4'-6"	0.033	133	#3 REBAR 4'-10"	7/32 BAR 4'-2"	N/A	4
5'-10"	0.043	173	#3 REBAR 6'-2"	7/32 BAR 5'-6"	N/A	4
6'-6"	0.048	193	#4 REBAR 6'-10"	7/32 BAR 6'-2"	N/A	4
7'-6"	0.055	222	#4 REBAR 7'-10"	7/32 BAR 7'-2"	2'-0"	6
9'-4"	0.069	277	#4 REBAR 9'-8"	#3 REBAR 9'-0"	2'-0"	6
10'-6"	0.076	312	#4 REBAR 10'-10"	#3 REBAR 10'-2"	2'-0"	6
11'-4"	0.083	336	#5 REBAR 11'-8"	#3 REBAR 11'-0"	3'-0"	6
12'-0"	0.087	354	#5 REBAR 12'-4"	#3 REBAR 12'-0"	3'-0"	6
13'-4"	0.098	395	#5 REBAR 13'-8"	#3 REBAR 13'-0"	4'-0"	6
14'-0"	0.102	413	#5 REBAR 14'-4"	#3 REBAR 13'-8"	4'-0"	6
17'-4"	0.127	514	#5 REBAR 17'-8"	#3 REBAR 17'-0"	4'-0"	6

12" PRECAST U-LINTEL DATA TABLE

LINTEL SIZE	VOLUME CY	WEIGHT LBS	A * BOTTOM STEEL TYPE	B * TOP STEEL LENGTH	C * SPACING	NO. OF STIRRUPS
3'-6"	0.037	153	#5 REBAR 3'-10"	7/32 BAR 3'-2"	N/A	4
4'-0"	0.043	175	#5 REBAR 4'-4"	7/32 BAR 3'-8"	N/A	4
4'-6"	0.048	197	#5 REBAR 4'-10"	7/32 BAR 4'-2"	N/A	4
5'-10"	0.063	255	#5 REBAR 6'-2"	7/32 BAR 5'-6"	N/A	4
6'-6"	0.070	284	#5 REBAR 6'-10"	7/32 BAR 6'-2"	N/A	4
7'-6"	0.081	328	#5 REBAR 7'-10"	7/32 BAR 7'-2"	2'-0"	6
9'-4"	0.101	408	#5 REBAR 9'-8"	#3 REBAR 9'-0"	2'-0"	6
10'-6"	0.113	459	#5 REBAR 10'-10"	#3 REBAR 10'-2"	2'-0"	6
11'-4"	0.122	495	#5 REBAR 11'-8"	#3 REBAR 11'-0"	3'-0"	6
12'-0"	0.130	525	#5 REBAR 12'-4"	#3 REBAR 12'-0"	3'-0"	6
13'-4"	0.143	582	#5 REBAR 13'-8"	#3 REBAR 13'-0"	4'-0"	6
14'-0"	0.151	612	#5 REBAR 14'-4"	#3 REBAR 13'-8"	4'-0"	6
17'-4"	0.187	758	#5 REBAR 17'-8"	#3 REBAR 17'-0"	3'-0"	8
19'-4"	0.208	845	#5 REBAR 19'-8"	#3 REBAR 19'-0"	3'-0"	8

12" PRECAST W/ 2" RECESS DOOR U-LINTEL DATA TABLE

DOOR SIZE	LINTEL LENGTH	RECESS LENGTH	VOLUME CY	WEIGHT LBS	A * BOTTOM STEEL TYPE	B * TOP STEEL LENGTH	C * SPACING	NO. OF STIRRUPS
2'-8"	4'-4"	3'-0"	0.047	189	#5 REBAR 4'-8"	7/32 BAR 4'-0"	N/A	4
3'-0"	4'-8"	3'-4"	0.047	192	#5 REBAR 4'-10"	7/32 BAR 4'-2"	N/A	4
4'-0"	5'-8"	4'-4"	0.058	241	#5 REBAR 6'-0"	7/32 BAR 5'-4"	N/A	4
4'-4"	5'-10"	4'-8"	0.080	243	#5 REBAR 6'-2"	7/32 BAR 5'-6"	N/A	4
6'-0"	6'-8"	5'-4"	0.069	280	#5 REBAR 7'-0"	7/32 BAR 6'-4"	N/A	4
6'-0"	7'-6"	6'-4"	0.076	308	#5 REBAR 7'-10"	7/32 BAR 7'-2"	2'-0"	6
8'-0"	9'-8"	8'-4"	0.098	397	#5 REBAR 10'-0"	#3 REBAR 9'-4"	2'-0"	6

THIS PROPRIETARY INFORMATION IS PROVIDED FOR PRODUCT APPROVAL. IT IS PROTECTED BY COPYRIGHT LAWS AND CANNOT BE REPRODUCED OR DISTRIBUTED WITHOUT THE PRIOR WRITTEN CONSENT CAST-CRETE USA, LLC

GENERAL NOTES:

- REINFORCING STEEL: 7/32 BAR ASTM A510; #3, #4, AND #5 REBAR GRADE 60 ASTM A615
- CONCRETE STRENGTHS: f'c = 6000 PSI FOR ALL 6 INCH AND 12 INCH PRECAST LINTELS; f'c = 3000 PSI FOR 4 INCH LINTELS
- BOTTOM STEEL SHALL BE CUT BACK ONE INCH TO BE FLUSH WITH ENDS ON 6 AND 12 INCH LINTELS AFTER STRIPPING FROM FORM.
- STRIPPING STRENGTH: 6 AND 12 INCH LINTELS = 2000 PSI
- NOTE: THE TOTAL NUMBER OF STIRRUPS REQUIRED ARE COUNTED STARTING FROM EACH END OF THE REINFORCING CAGE; FOR EXAMPLE - NO. OF STIRRUPS = 4, THEN THE REINFORCING CAGE FABRICATION MODEL SHOWS 2 STIRRUPS FROM EACH END.

PRODUCT REVISED as complying with the Florida Building Code
 Acceptance No 19-0130-14
 Expiration Date 09/11/2013
 By *[Signature]*
 Miami Data Product Control

CRAIG PARRINO
 LICENSE NO. 44756
 STATE OF FLORIDA
 1-22-19
 PROFESSIONAL ENGINEER
 CRAIG PARRINO
 6324 CR 579
 SEFFNER, FL 33584
 FL. P.E. LIC. NO. 44756

NO.	BY	REVISION	DATE
1	JA	NAME CHANGE	3/11/08
2	ACP	GENERAL REVISION	6/12/14



TITLE: PRECAST AND PRESTRESSED LINTEL DETAILS	FILE NAME: DBSUB4-14	DRAWN BY: JOHAN ARNAUD	SCALE: AS SHOWN
DATE: 3/24/03	CHECKED BY: CRAIG PARRINO, P.E.	DRAWING: FD4612	SHEET: 1 OF 1

GENERAL NOTES

- 1) Materials:
 - f'c 4" precast lintel = 3000 psi
 - f'c 6" & 12" precast lintel = 6000 psi
 - f'c grout = 3000 psi with maximum 3/8 inch aggregate
 - concrete masonry units (CMU) per ASTM C90 with minimum net area compressive strength = 1900 psi
 - rebar per ASTM A615 Grade 60
 - mortar per ASTM C270 type M or S
- 2) All safe load tables based on minimum 4 inch nominal bearing.

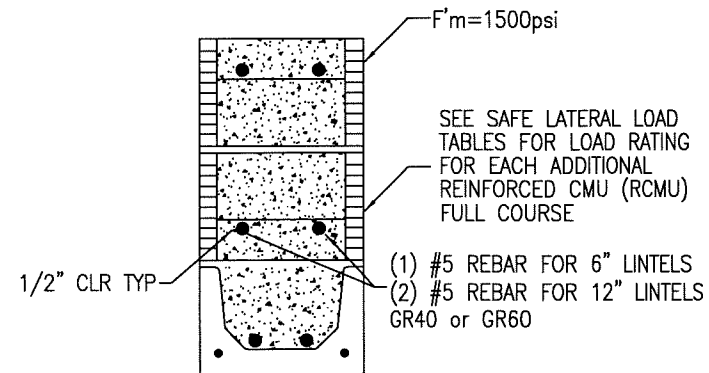
Exception: Safe loads for lintel type 6U8, 12U8 and 12RU6 must be reduced by 20% if bearing length is less than 6 1/2 inches.
- 3) Provide full mortar bed and head joints.
- 4) The number in parenthesis indicates the percent reduction for grade 40 field added rebar.

Example: 17'-4" Lintel 12F24-2B safe gravity load = 1428(14) w/ 14% reduction \Rightarrow 1428 (.86) = 1228 plf
- 5) All lintels meet or exceed L/360 deflection.

Exception: Lintel types 6F8 & 12F8 17'-4" & longer meets or exceed L/180 deflection, Use is limited to conditions meeting the Florida Building Code Section 1604.3.1 as applicable.
- 6) Shore filled lintels as required.
- 7) 4" solid lintels to be installed w/ 4" dimension horizontal and 8" dimension vertical.
- 8) Installation/attachment of lintel must comply with the architectural and/or structural documents.
- 9) The designer may evaluate concentrated loads from the safe load tables by calculating the maximum resisting moment and shear at d-away from the face of support.
- 10) N.R. = Not Rated
- 11) Bottom field added rebar to be located at the bottom of the lintel cavity.

- 12) 6" & 12" Lintels are manufactured with 5-1/2" long notches at the ends to accommodate vertical cell reinforcing and grouting.
- 13) The exterior surface of lintels installed in exterior concrete masonry walls shall have a coating of stucco applied in accordance with ASTM C-926 or other approved coating.
- 14) Lintels loaded simultaneously with vertical (gravity or uplift) and horizontal (lateral) loads should be checked for the combined loading with the following equation:

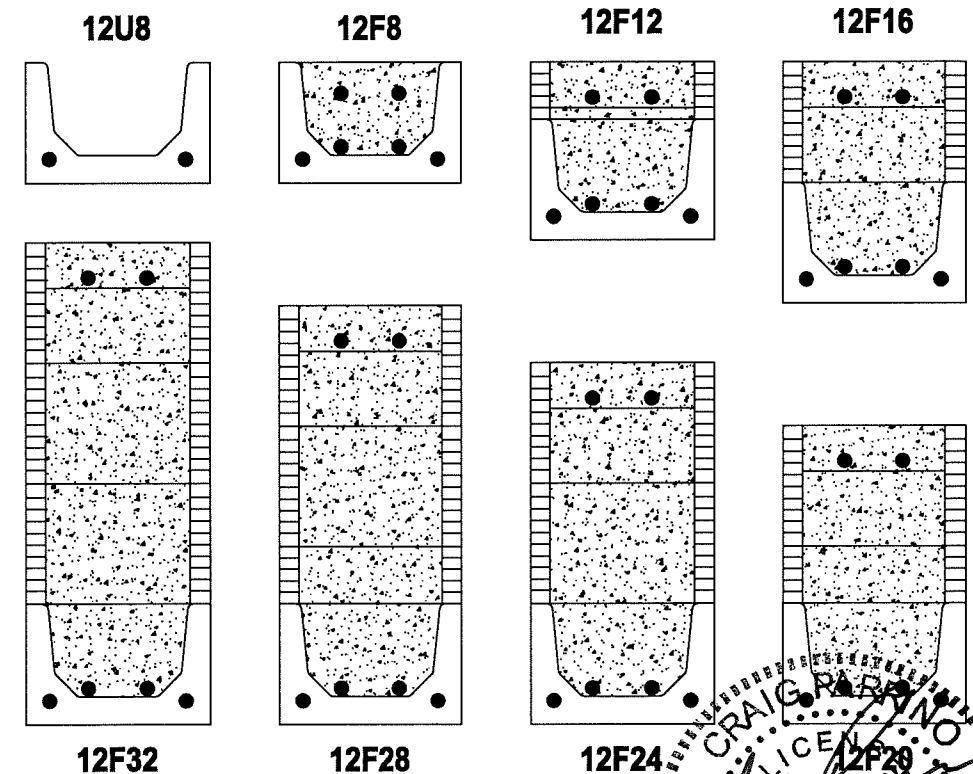
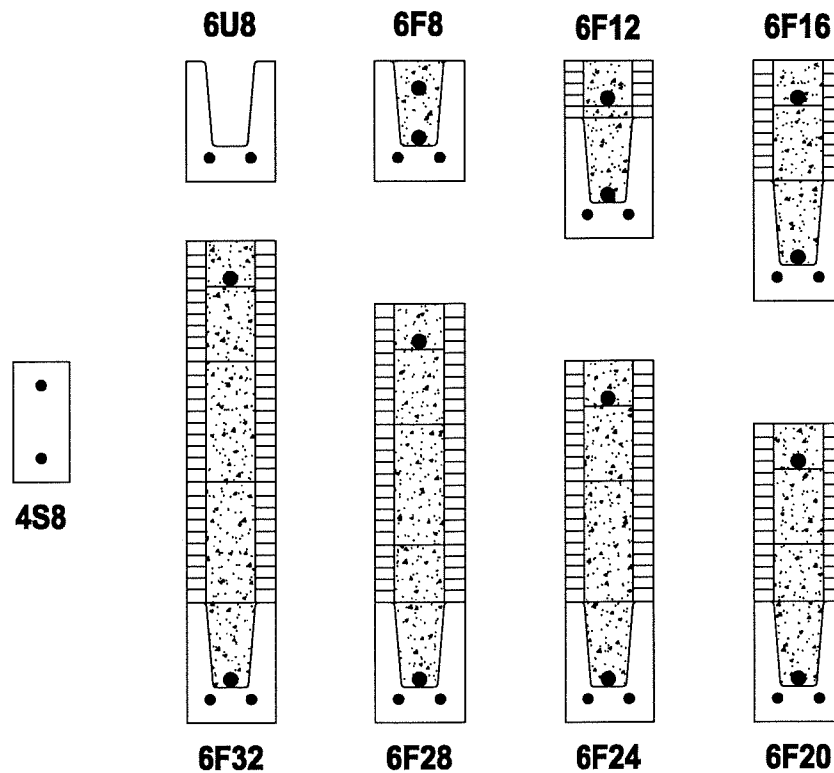
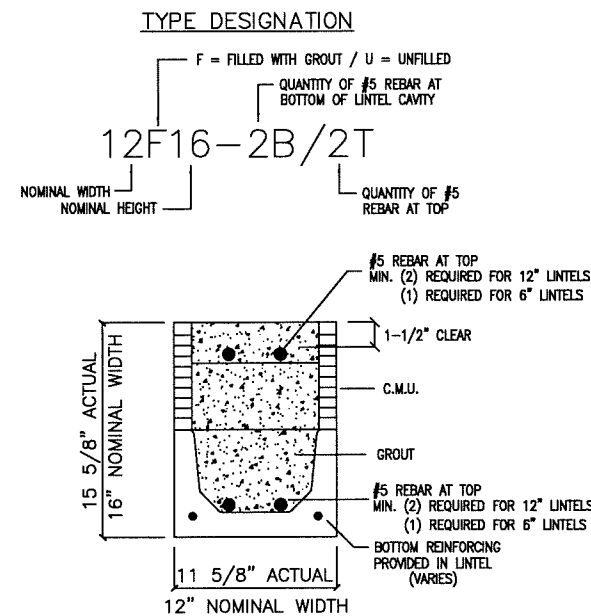
$$\frac{\text{Applied vertical load}}{\text{Safe vertical load}} + \frac{\text{Applied horizontal load}}{\text{Safe horizontal load}} \leq 1.0$$
- 15) For composite lintel heights not shown, use safe load from next lower height shown.
- 16) For lintel lengths not shown, use safe load from next longest length shown.
- 17) Safe loads are superimposed allowable loads.
- 18) Safe loads based on rational design analysis per ACI 530 and ACI 318.
- 19) Additional lateral load capacity can be obtained by the designer by providing additional reinforced concrete masonry units (RCMU) above the lintel. See sketch below:



SAFE LOADS FOR 4" SOLID LINTELS

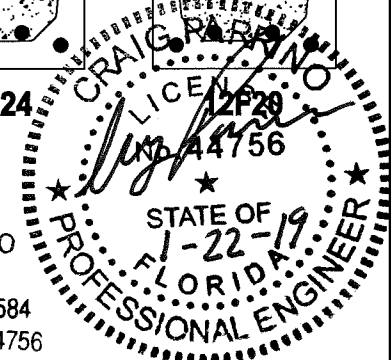
LENGTH	TYPE	GRAVITY
		4S8
3'-6" (42")	PRECAST	1180
4'-0" (48")	PRECAST	959
4'-6" (54")	PRECAST	789
5'-10" (70")	PRECAST	460
6'-6" (78")	PRECAST	360
7'-6" (90")	PRECAST	260
9'-4" (112")	PRECAST	156
10'-6" (126")	PRECAST	116

LENGTH	TYPE	UPLIFT	LATERAL
		4S8	4S8
3'-6" (42")	PRECAST	687	371
4'-0" (48")	PRECAST	597	320
4'-6" (54")	PRECAST	529	258
5'-10" (70")	PRECAST	407	148
6'-6" (78")	PRECAST	366	118
7'-6" (90")	PRECAST	280	87
9'-4" (112")	PRECAST	187	55
10'-6" (126")	PRECAST	152	43



PRODUCT REVISED as complying with the Florida Building Code
 Acceptance No. 19-0136-14
 Expiration Date 09/11/2013
 By: *Hedy A. M...*
 Miami Dad Product Control

CRAIG PARRINO
 6324 CR 579
 SEFFNER, FL 33584
 FL. P.E. LIC. NO. 44756



NO.	BY	REVISION	DATE
1	JH	GENERAL REVISION	4/28/03
2	JA	NAME CHANGE	3/11/08
3	CP	GENERAL REVISION	6/12/14

MEMBER OF

CAST-CRETE
 HIGH STRENGTH PRECAST AND PRESTRESSED CONCRETE LINTELS AND SILLS
 USA, LLC.
 8324 County Road 579
 Seffner, Florida 33584
 Phone 813-821-4641

TITLE: CAST-CRETE 4", 6" & 12" LINTEL SAFE LOAD TABLES			
FILE NAME: DBSUB5-14	DRAWN BY: JOHAN ARNAUD	SCALE: N.T.S.	
DATE: 3/24/03	CHECKED BY: CRAIG PARRINO, P.E. - REG. NO. 44756	DRAWING NO. LT4612	SHEET 1 OF 3

SAFE GRAVITY LOADS FOR 6" PRECAST U-LINTELS

CAST-CRETE LENGTH \ TYPE	SAFE LOAD - POUNDS PER LINEAR FOOT							
	6U8	6F8-1B	6F12-1B	6F16-1B	6F20-1B	6F24-1B	6F28-1B	6F32-1B
3'-6" (42") PRECAST	2332	2676	3892	5050	6148	7227	8297	9357
4'-0" (48") PRECAST	2025	2313	3892	5050	6148	7227	8297	9357
4'-6" (54") PRECAST	1654	1887	3633	5050	6148	7227	8297	9357
5'-10" (70") PRECAST	1067	1260	2198	3557	5734	7227	8297 ⁽³¹⁾	8225 ⁽¹⁹⁾
6'-6" (78") PRECAST	949	1078	1831	2850	4328	6737	8297	9357
7'-6" (90") PRECAST	779	883	1459	2188	3151	4524	6654	9357 ⁽¹¹⁾
9'-4" (112") PRECAST	584	660	1056	1523	2084	2795	3731	5017
10'-6" (126") PRECAST	503	566	895	1270	1706	2236	2898	3747
11'-4" (136") PRECAST	457	513	805	1133	1507	1952	2492	3163
12'-0" (144") PRECAST	425	477	744	1042	1377	1769	2238	2808
13'-4" (160") PRECAST	373	417	646	895	1170	1485	1852	2285
14'-0" (168") PRECAST	351	392	605	835	1087	1373	1703	2087
17'-4" (208") PRECAST	N.R.	299	455	620	794	985	1198	1437

(#) THE NUMBERS IN PARENTHESIS ARE PERCENT REDUCTIONS FOR GRADE 40 FIELD ADDED REBAR. SEE GENERAL NOTE NO. 4

SAFE LATERAL LOADS FOR 6" PRECAST U-LINTELS

CAST-CRETE LENGTH \ TYPE	SAFE LOAD PLF		
	6U8	6F8	RCMU*
3'-6" (42") PRECAST	587	1055	596
4'-0" (48") PRECAST	487	787	445
4'-6" (54") PRECAST	416	609	344
5'-10" (70") PRECAST	300	350	198
6'-6" (78") PRECAST	263	496	157
7'-6" (90") PRECAST	222	367	116
9'-4" (112") PRECAST	173	352	74
10'-6" (126") PRECAST	151	276	58
11'-4" (136") PRECAST	139	311	49
12'-0" (144") PRECAST	131	277	44
13'-4" (160") PRECAST	117	223	35
14'-0" (168") PRECAST	111	202	32
17'-4" (208") PRESTRESSED	N.R.	130	21

* SEE GENERAL NOTE 18

SAFE UPLIFT LOADS FOR 6" PRECAST U-LINTELS

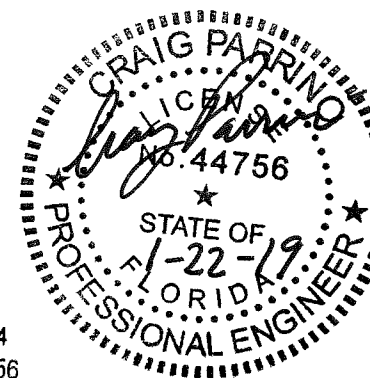
CAST-CRETE LENGTH \ TYPE	SAFE LOAD - POUNDS PER LINEAR FOOT						
	6F8-1T	6F12-1T	6F16-1T	6F20-1T	6F24-1T	6F28-1T	6F32-1T
3'-6" (42") PRECAST	1412	2074	2715	3356	3997	4638	5279
4'-0" (48") PRECAST	1225	1800	2357	2913	3470	4027	4583
4'-6" (54") PRECAST	1083	1592	2084	2577	3069	3562	4055
5'-10" (70") PRECAST	831	1222	1600	1979	2357	2736	3114
6'-6" (78") PRECAST	723	1097 ⁽⁹⁾	1437 ⁽¹⁾	1777	2117	2457	2797
7'-6" (90") PRECAST	648 ⁽¹⁶⁾	863 ⁽¹³⁾	1249 ⁽¹⁴⁾	1544 ⁽⁹⁾	1840 ⁽⁶⁾	2135 ⁽⁴⁾	2431 ⁽²⁾
9'-4" (112") PRECAST	575	571 ⁽¹²⁾	980 ⁽²⁷⁾	1252 ⁽²⁶⁾	1492 ⁽²⁴⁾	1732 ⁽²²⁾	1972 ⁽²⁰⁾
10'-6" (126") PRECAST	514	462 ⁽¹²⁾	787 ⁽²⁷⁾	1121 ⁽³³⁾	1336 ⁽³¹⁾	1551 ⁽²⁹⁾	1766 ⁽²⁸⁾
11'-4" (136") PRECAST	474	404 ⁽¹¹⁾	685 ⁽²⁶⁾	985 ⁽³³⁾	1213 ⁽³³⁾	1442 ⁽³³⁾	1645 ⁽³²⁾
12'-0" (144") PRECAST	454 ⁽⁷⁾	367 ⁽¹¹⁾	619 ⁽²⁶⁾	888 ⁽³³⁾	1093 ⁽³³⁾	1299 ⁽³³⁾	1506 ⁽³³⁾
13'-4" (160") PRECAST	402 ⁽¹³⁾	308 ⁽¹¹⁾	516 ⁽²⁵⁾	736 ⁽³²⁾	906 ⁽³²⁾	1076 ⁽³²⁾	1247 ⁽³²⁾
14'-0" (168") PRECAST	368 ⁽¹³⁾	285 ⁽¹⁰⁾	475 ⁽²⁴⁾	677 ⁽³¹⁾	832 ⁽³²⁾	989 ⁽³²⁾	1145 ⁽³²⁾
17'-4" (208") PRECAST	253 ⁽¹²⁾	208 ⁽⁹⁾	338 ⁽²²⁾	476 ⁽²⁹⁾	585 ⁽²⁹⁾	693 ⁽²⁹⁾	803 ⁽²⁹⁾

(#) THE NUMBERS IN PARENTHESIS ARE PERCENT REDUCTIONS FOR GRADE 40 FIELD ADDED REBAR. SEE GENERAL NOTE NO. 4

SEE GENERAL NOTES - SHEET 1 OF 3

PRODUCT REVISED
as complying with the Florida
Building Code
Acceptance No. 19-0130.14
Expiration Date 09/11/2023
By *Heidi A. Mohr*
Miami Dade Product Control

CRAIG PARRINO
6324 CR 579
SEFFNER, FL 33584
FL. P.E. LIC. NO. 44756



NO	BY	REVISION	DATE
△	JH	GENERAL REVISION	4/28/03
△	JA	NAME CHANGE	3/11/08
△	CP	GENERAL REVISION	6/19/14



TITLE: CAST-CRETE 4", 6" & 12" LINTEL SAFE LOAD TABLES

FILE NAME: DBSUB6-14	DRAWN BY: JOHAN ARNAUD	SCALE: N.T.S.
DATE: 3/24/03	CHECKED BY: CRAIG PARRINO, P.E. - REG. NO. 44756	DRAWING NO. LT4612 SHEET 2 OF 3

SAFE GRAVITY LOADS FOR 12" PRECAST U-LINTELS

LENGTH \ TYPE	SAFE LOAD - POUNDS PER LINEAR FOOT							
	12U8	12F8-2B	12F12-2B	12F16-2B	12F20-2B	12F24-2B	12F28-2B	12F32-2B
3'-6" (42") PRECAST	3428	5000	5838	7619	9352	11060	12755	14438
4'-0" (48") PRECAST	2923	4232	5838	7619	9352	11060	12755	14438
4'-6" (54") PRECAST	2396	3464	5304	7619	9352	11060	12755	14438
5'-10" (70") PRECAST	1612	2320	3218	5234	8487	11060	12755	14438 ⁽¹¹⁾
6'-6" (78") PRECAST	1383	1986	2679	4196	6421	10032	12755	14438 ⁽³⁰⁾
7'-6" (90") PRECAST	1138	1628	2131	3218	4676	6756	9763	13528 ⁽⁴⁶⁾
9'-4" (112") PRECAST	795	1216	1535	2230	3083	4167	5593	7552 ⁽⁴⁰⁾
10'-6" (126") PRECAST	614	1043	1295	1853	2516	3323	4334	5632 ⁽³⁸⁾
11'-4" (136") PRECAST	518	945	1162	1649	2216	2893	3719	4746 ⁽³⁸⁾
12'-0" (144") PRECAST	456	878	1073	1513	2020	2617	3333	4206 ⁽³⁸⁾
13'-4" (160") PRECAST	359	767 ⁽⁸⁾	926	1294	1709	2188	2743	3409 ⁽⁴²⁾
14'-0" (168") PRECAST	321	720 ⁽¹²⁾	865	1204	1584	2017	2451	3106 ⁽⁴³⁾
17'-4" (208") PRECAST	N.R.	451 ⁽¹⁷⁾	631 ⁽¹⁸⁾	881 ⁽¹⁵⁾	1141 ⁽¹⁴⁾	1428 ⁽¹⁴⁾	1750 ⁽¹⁶⁾	2102 ⁽⁵²⁾
19'-4" (232") PRECAST	N.R.	343 ⁽¹⁷⁾	477 ⁽¹⁹⁾	700 ⁽¹⁹⁾	925 ⁽²⁰⁾	1152 ⁽²⁰⁾	1380 ⁽²⁰⁾	1609 ⁽⁵⁴⁾

(#) THE NUMBERS IN PARENTHESIS ARE PERCENT REDUCTIONS FOR GRADE 40 FIELD ADDED REBAR. SEE GENERAL NOTE NO. 4

SAFE GRAVITY LOADS FOR 12" PRECAST w/ 2" RECESS DOOR U-LINTELS

LENGTH \ TYPE	SAFE LOAD - POUNDS PER LINEAR FOOT							
	12RU6	12RF6-2B	12RF10-2B	12RF14-2B	12RF18-2B	12RF22-2B	12RF26-2B	12RF30-2B
4'-4" (52") PRECAST	2538	2942	5468	7584	9640	11669	13679	15679
4'-6" (54") PRECAST	2319	2740	5468	7584	9640	11669	13679	15679
5'-8" (68") PRECAST	1347	1841	3555	6395	9640	11669	13679	15679 ⁽²⁴⁾
5'-10" (70") PRECAST	1259	1758	3361	5954	9358	11669	13679	15679 ⁽²⁹⁾
6'-8" (80") PRECAST	924	1430	2633	4415	6884	10353 ⁽¹⁸⁾	12573 ⁽¹⁸⁾	14800 ⁽⁴⁵⁾
7'-6" (90") PRECAST	703	1203	2157	3494	5259	7922 ⁽¹⁸⁾	9623 ⁽¹⁷⁾	11329 ⁽⁴⁶⁾
9'-8" (116") PRECAST	389	843	1451 ⁽⁹⁾	2157 ⁽⁹⁾	3203 ⁽⁹⁾	4427 ⁽¹⁸⁾	5417 ⁽¹⁷⁾	6380 ⁽⁴⁷⁾

(#) THE NUMBERS IN PARENTHESIS ARE PERCENT REDUCTIONS FOR GRADE 40 FIELD ADDED REBAR. SEE GENERAL NOTE NO. 4

SAFE LATERAL LOADS FOR 12" PRECAST U-LINTELS

LENGTH \ TYPE	SAFE LOAD PLF		
	12U8	12F8	RCMU *
3'-6" (42") PRECAST	1295	4841	3933 ⁽¹³⁾
4'-0" (48") PRECAST	1295	4841	2994 ⁽¹⁴⁾
4'-6" (54") PRECAST	1049	3922	2417 ⁽¹⁸⁾
5'-10" (70") PRECAST	681	2547	1552 ⁽²⁷⁾
6'-6" (78") PRECAST	579	2167	1234 ⁽²⁷⁾
7'-6" (90") PRECAST	474	1771	914 ⁽²⁷⁾
9'-4" (112") PRECAST	355	1326	580 ⁽²⁷⁾
10'-6" (126") PRECAST	306	1143	454 ⁽²⁷⁾
11'-4" (136") PRECAST	278	1041	388 ⁽²⁷⁾
12'-0" (144") PRECAST	260	971	345 ⁽²⁷⁾
13'-4" (160") PRECAST	229	857	278 ⁽²⁷⁾
14'-0" (168") PRECAST	216	809	251 ⁽²⁷⁾
17'-4" (208") PRESTRESSED	N.R.	633 ⁽¹²⁾	162 ⁽²⁷⁾
19'-4" (232") PRESTRESSED	N.R.	534 ⁽¹⁷⁾	130 ⁽²⁷⁾

* SEE GENERAL NOTE 18

SAFE LATERAL LOADS FOR 12" PRECAST w/ 2" RECESS DOOR U-LINTELS

LENGTH \ TYPE	SAFE LOAD PLF		
	12RU6	12RF6	RCMU *
4'-4" (52") PRECAST	1295	3692	2583 ⁽¹⁷⁾
4'-6" (54") PRECAST	1213	3458	2417 ⁽¹⁸⁾
5'-8" (68") PRECAST	784	2236	1650 ⁽²⁷⁾
5'-10" (70") PRECAST	747	2129	1552 ⁽²⁷⁾
6'-8" (80") PRECAST	602	1716	1170 ⁽²⁷⁾
7'-6" (90") PRECAST	504	1438	914 ⁽²⁷⁾
9'-8" (116") PRECAST	355	1011	539 ⁽²⁷⁾

* SEE GENERAL NOTE 18

SAFE UPLIFT LOADS FOR 12" PRECAST U-LINTELS

LENGTH \ TYPE	SAFE LOAD - POUNDS PER LINEAR FOOT						
	12F8-2T	12F12-2T	12F16-2T	12F20-2T	12F24-1T	12F28-2T	12F32-2T
3'-6" (42") PRECAST	2752	4287	5613	6938	8264	9589	10915
4'-0" (48") PRECAST	2389	3721	4872	6023	7174	8325	9477
4'-6" (54") PRECAST	2113	3291	4310	5328	6347	7365	8384
5'-10" (70") PRECAST	1623	2527 ⁽²⁾	3310	4092	4875	5658	6441
6'-6" (78") PRECAST	1444	2269 ⁽¹²⁾	2972 ⁽⁴⁾	3675	4378	5081	5784
7'-6" (90") PRECAST	1267 ⁽¹⁴⁾	1767 ⁽¹⁴⁾	2583 ⁽¹⁸⁾	3194 ⁽¹²⁾	3806 ⁽⁹⁾	4417 ⁽⁷⁾	5028 ⁽⁵⁾
9'-4" (112") PRECAST	1028 ⁽⁹⁾	1171 ⁽¹⁴⁾	2006 ⁽²⁸⁾	2590 ⁽²⁸⁾	3087 ⁽²⁶⁾	3583 ⁽²⁴⁾	4079 ⁽²²⁾
10'-6" (126") PRECAST	920 ⁽¹⁸⁾	947 ⁽¹³⁾	1612 ⁽²⁸⁾	2281 ⁽³⁴⁾	2764 ⁽³³⁾	3209 ⁽³¹⁾	3653 ⁽³⁰⁾
11'-4" (136") PRECAST	858 ⁽²⁴⁾	829 ⁽¹³⁾	1404 ⁽²⁷⁾	1982 ⁽³³⁾	2441 ⁽³³⁾	2902 ⁽³³⁾	3364 ⁽³³⁾
12'-0" (144") PRECAST	814 ⁽²⁷⁾	753 ⁽¹³⁾	1269 ⁽²⁷⁾	1788 ⁽³³⁾	2201 ⁽³³⁾	2616 ⁽³³⁾	3032 ⁽³³⁾
13'-4" (160") PRECAST	678 ⁽²⁷⁾	633 ⁽¹²⁾	1057 ⁽²⁶⁾	1485 ⁽³²⁾	1826 ⁽³²⁾	2169 ⁽³²⁾	2513 ⁽³²⁾
14'-0" (168") PRECAST	622 ⁽²⁷⁾	586 ⁽¹²⁾	974 ⁽²⁵⁾	1365 ⁽³¹⁾	1679 ⁽³¹⁾	1993 ⁽³¹⁾	2309 ⁽³²⁾
17'-4" (208") PRECAST	434 ⁽²⁵⁾	427 ⁽¹⁰⁾	695 ⁽²³⁾	964 ⁽²⁹⁾	1182 ⁽²⁹⁾	1402 ⁽²⁹⁾	1623 ⁽²⁹⁾
19'-4" (232") PRECAST	366 ⁽²³⁾	370 ⁽¹⁰⁾	593 ⁽²²⁾	817 ⁽²⁷⁾	1002 ⁽²⁷⁾	1187 ⁽²⁷⁾	1372 ⁽²⁷⁾

(#) THE NUMBERS IN PARENTHESIS ARE PERCENT REDUCTIONS FOR GRADE 40 FIELD ADDED REBAR. SEE GENERAL NOTE NO. 4

SAFE UPLIFT LOADS FOR 12" PRECAST w/ 2" RECESS DOOR U-LINTELS

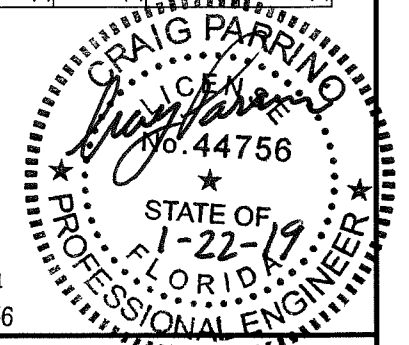
LENGTH \ TYPE	SAFE LOAD - POUNDS PER LINEAR FOOT						
	12RF6-2T	12RF10-2T	12RF14-2T	12RF18-2T	12RF22-2T	12RF26-2T	12RF30-2T
4'-4" (52") PRECAST	1626	2685	3746	4806	5867	6928	7989
4'-6" (54") PRECAST	1558	2582	3602	4623	5643	6664	7684
5'-8" (68") PRECAST	1210	2042	2850	3658	4466	5273	6081
5'-10" (70") PRECAST	1173	1984 ⁽¹⁾	2769	3553	4338	5123	5908
6'-8" (80") PRECAST	1020 ⁽⁴⁾	1538 ⁽²⁾	2426 ⁽³⁾	3114	3802	4489	5177
7'-6" (90") PRECAST	904 ⁽¹⁵⁾	1226 ⁽²⁾	2163 ⁽¹⁵⁾	2776 ⁽¹⁰⁾	3390 ⁽⁷⁾	4003 ⁽⁵⁾	4617 ⁽³⁾
9'-8" (116") PRECAST	703 ⁽¹⁴⁾	771 ⁽²⁾	1472 ⁽²²⁾	2181 ⁽²⁹⁾	2663 ⁽²⁶⁾	3145 ⁽²⁵⁾	3628 ⁽²³⁾

(#) THE NUMBERS IN PARENTHESIS ARE PERCENT REDUCTIONS FOR GRADE 40 FIELD ADDED REBAR. SEE GENERAL NOTE NO. 4

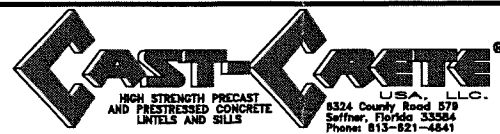
SEE GENERAL NOTES - SHEET 1 OF 3

PRODUCT REVISED
as complying with the Florida
Building Code
Acceptance No 19-0130-14
Expiration Date 09/11/2023
By *Hedy A. Nelson*
Miami Design Product Control

CRAIG PARRINO
6324 CR 579
SEFFNER, FL 33584
FL. P.E. LIC. NO. 44756



NO.	BY	REVISION	DATE
1	JH	GENERAL REVISION	4/28/03
2	JA	NAME CHANGE	3/11/08
3	CP	GENERAL REVISION	6/12/14



TITLE: CAST-CRETE 4", 6" & 12" LINTEL SAFE LOAD TABLES			
FILE NAME: DBSUB7-14	DRAWN BY: JOHAN ARNAUD	SCALE: N.T.S.	
DATE: 3/24/03	CHECKED BY: CRAIG PARRINO, P.E. - REG. NO. 44756	DRAWING NO. LT4612	SHEET 3 OF 3